



BRIO Collection

Low Voltage Landscape Pathlight

Job Name:

Date:

Model:

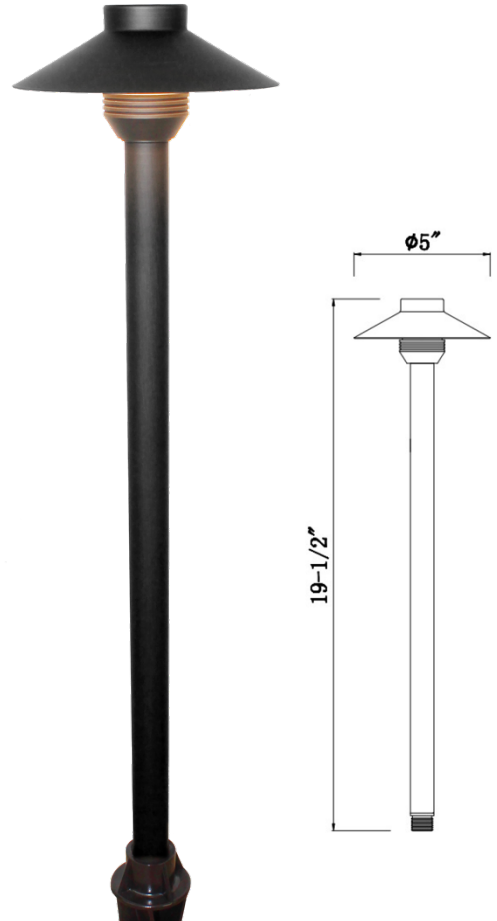
Quantity:

Features

- ❖ Solid brass construction with black finish
- ❖ Nite Driver system matched LED array included
 - Full LED light output up to 20% voltage drop
 - Easier to maintain even light levels than incandescent
 - Allows longer cable runs with more fixtures
 - Simplifies installation and layout
 - Smooth dimming from 100% to 30% light output

Specification

- ❖ Low voltage operation: 12 VAC or 12 VDC
- ❖ LED light array
 - 4 watts – 169 Lumens
 - 2800k Warm White
 - Replaces 20 watt incandescent
 - Dimmable
 - Frosted Lens
- ❖ Shade Size: 5" Flat Top Hat
- ❖ 3' SPT-2W 18AWG copper lead wire
- ❖ 18" stem
- ❖ Ground mounting stake included
- ❖ ETL Listed for Landscape Lighting
- ❖ Five Year Fixture & LED Warranty



PART NUMBER	UPC	WATTS	LAMP
BP1505BK	850038505929	4	Integral



LED Light Array



Ground Stake Included

650 Algonquin Rd, Ste 206, Schaumburg, IL 60176
 PH: 847.496.5276 FAX: 846.701.8342