



# BRIO Collection

## Low Voltage Landscape Uplight

Job Name:  
 Date:  
 Model:  
 Quantity:

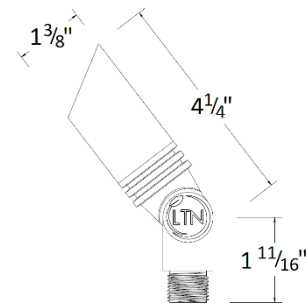
### Features

- ❖ Solid brass construction
- ❖ Nite Driver System matched LED MR8 included
  - Full LED light output up to 35% voltage drop
  - Easier to maintain even light levels than incandescent
  - Allows longer cable runs with more fixtures
  - Simplifies installation and layout
- ❖ Twist lock lens cover for secure fit
- ❖ Thumb Screw for easy aiming adjustment
- ❖ Large Teeth on knuckle give positive lock for aiming



### Specification

- ❖ Low voltage operation: 12/18V AC 12/24V DC
- ❖ MR8 LED Lamp included
  - 2.5 watt – 175 Lumens
  - 3000k Warm White
  - Wide Beam Spread
  - Replaces 20 watt incandescent
- ❖ 3' SPT-2W 18AWG copper lead wire
- ❖ 1/2" threaded knuckle for mounting
- ❖ Ground mounting stake included
- ❖ Solid brass body with bronze finish
- ❖ ETL Listed for Landscape Lighting
- ❖ 15 Year Fixture Warranty
- ❖ 5 Year LED Warranty



PART NUMBER	UPC	WATTS	LAMP INCLUDED
BU132BZ	852140007100	2.5	MR8



LED Lamp and Ground Stake Included

650 Algonquin Rd, Ste 206, Schaumburg, IL 60176  
 PH: 847.496.5276 FAX: 846.701.8342